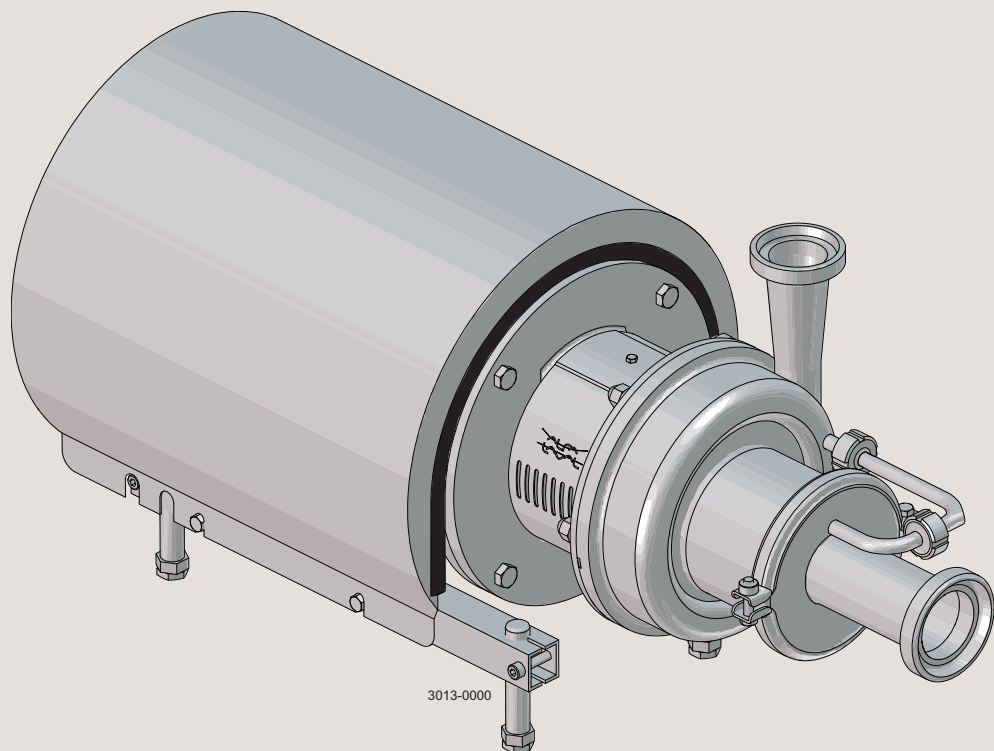




## Spare Parts

### LKH Prime Centrifugal Pump



ESE03072-EN1 2016-11

Original manual

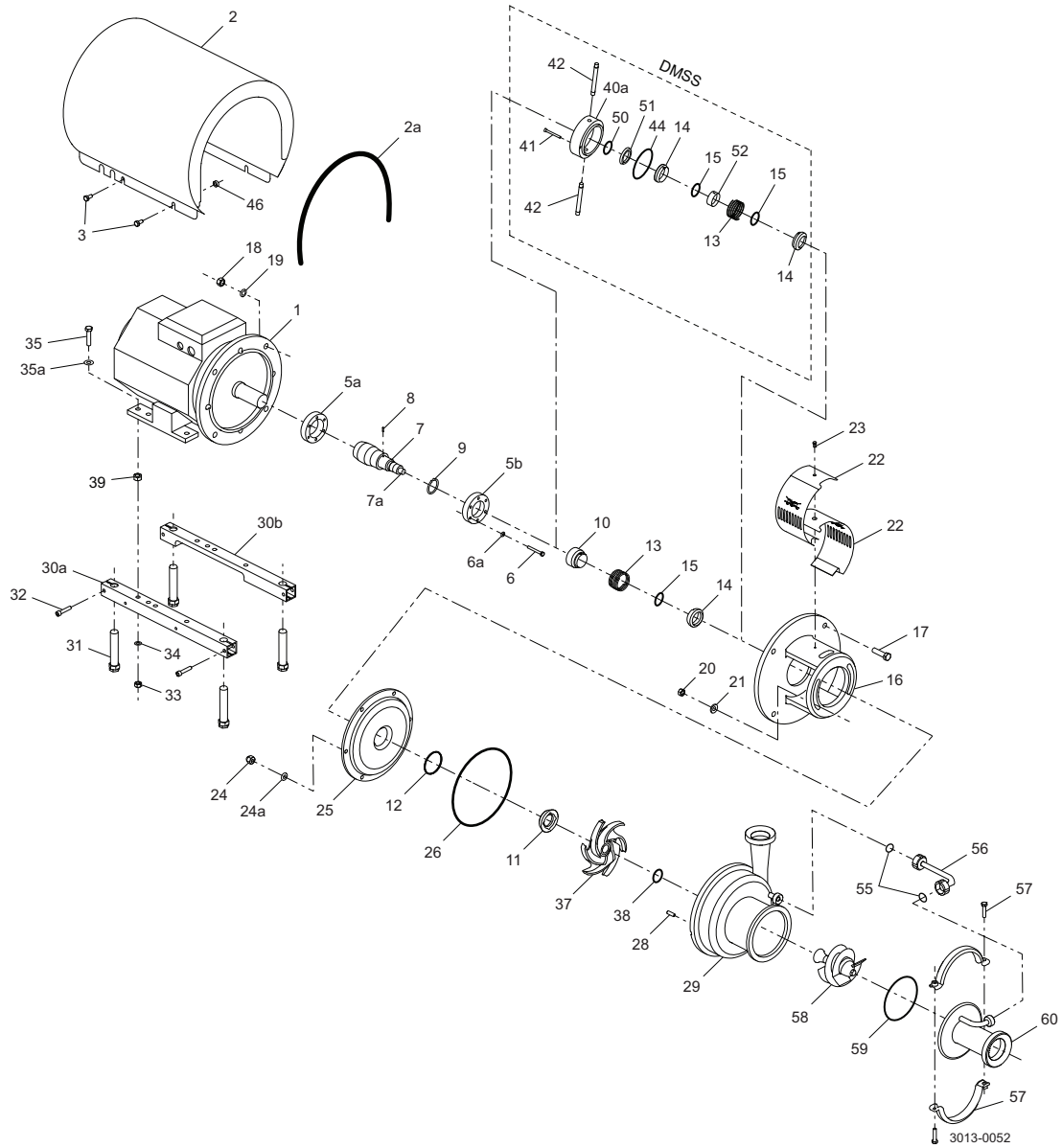


## Table of contents

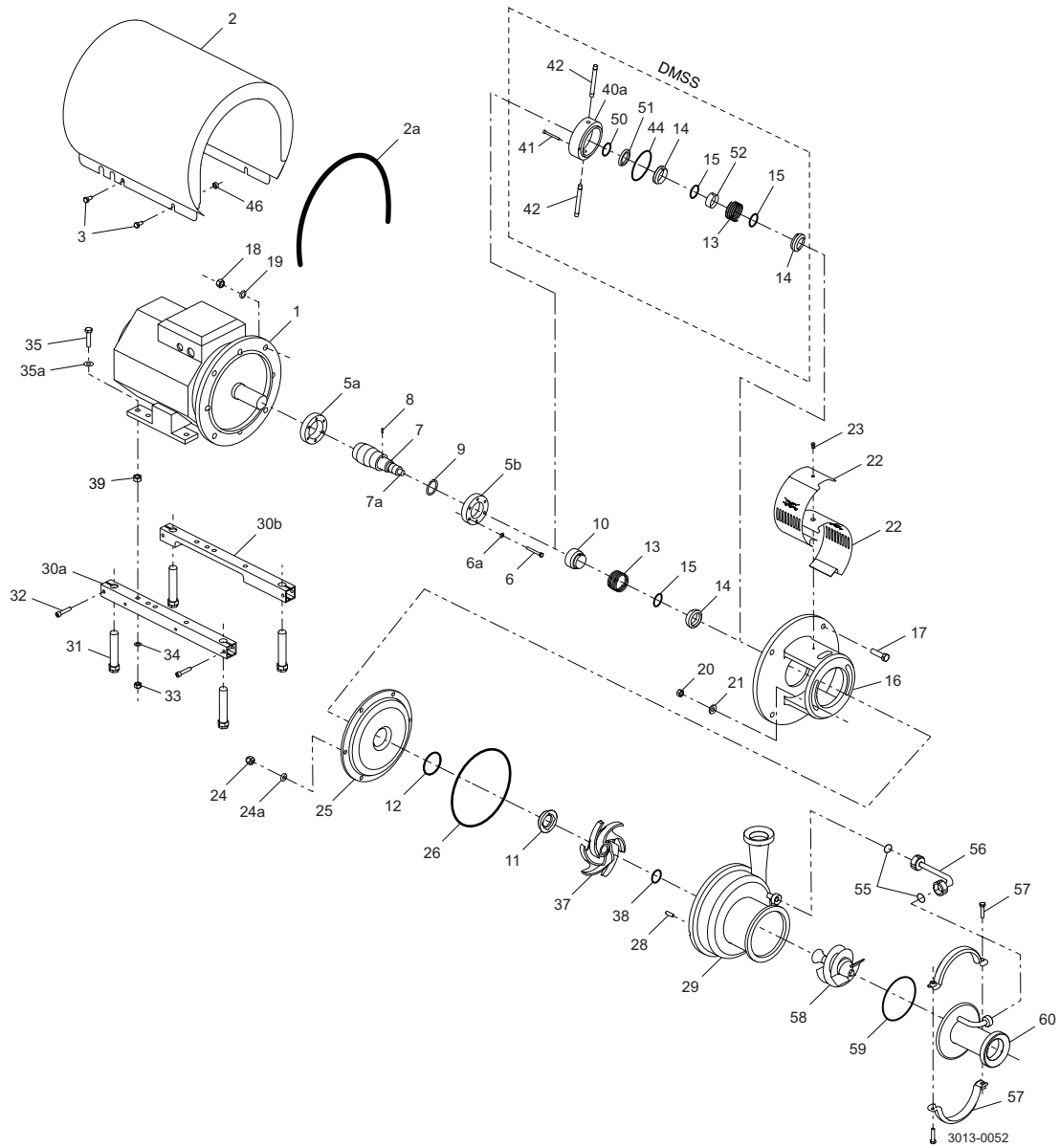
---

*The information herein is correct at the time of issue but may be subject to change without prior notice*

1. LKH Prime - Wet end .....	4
2. LKH Prime - Motor dependent parts .....	6
3. LKH Prime - Shaft seal .....	10

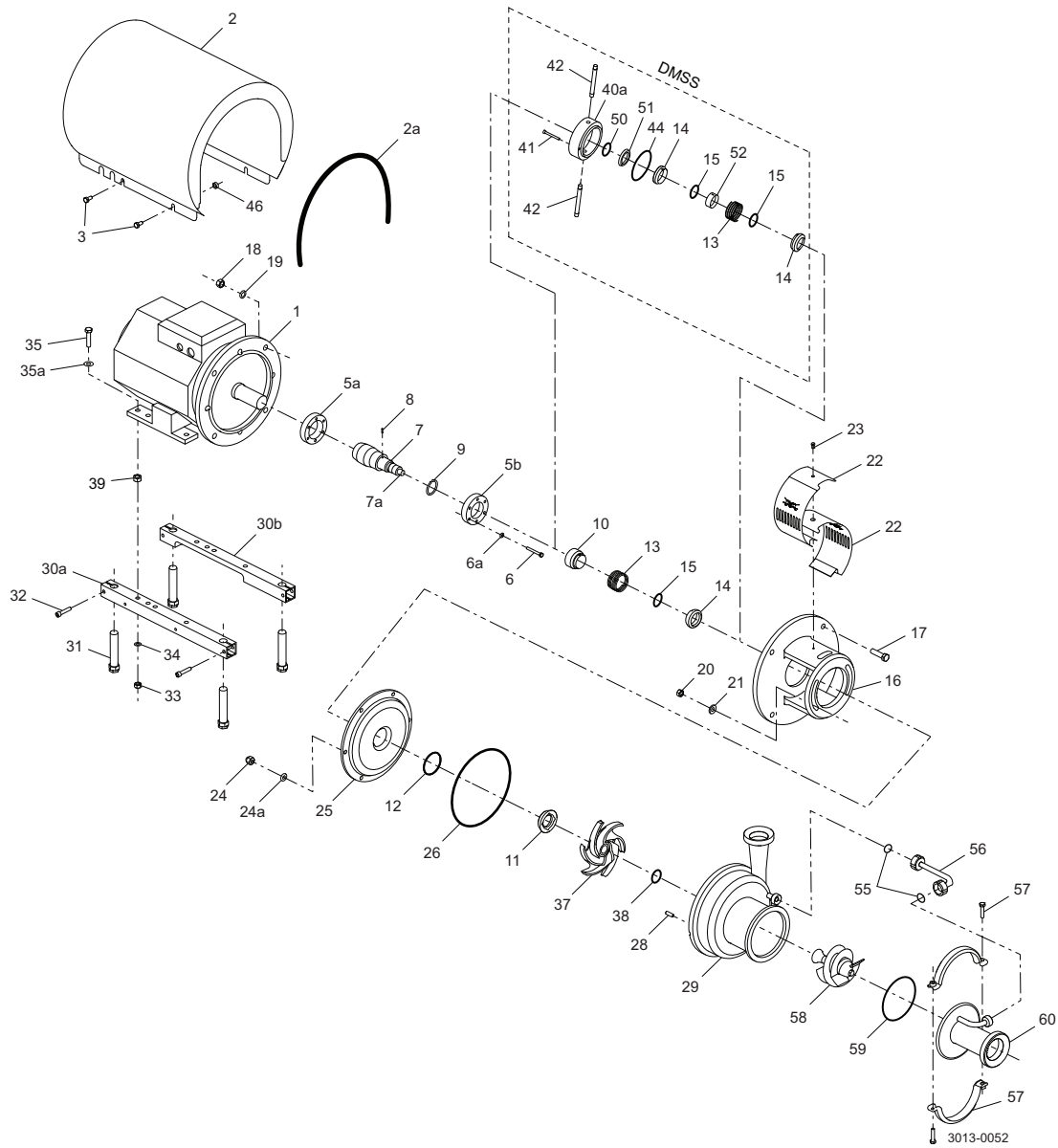


Pos	Qty	Denomination	LKH Prime 20 IEC90-IEC160
<b>Pump casing standard blasted</b>			
29		Pump casing, IDF .....	9615261108
		Pump casing, SMS .....	9615261109
		Pump casing, DIN/ISO .....	9615261110
		Pump casing, ISO .....	9615261111
		Pump casing, BS .....	9615261112
		Pump casing, DS .....	9615261113
		Pump casing, DIN/DIN .....	9615261114
<b>Pump casing Mech Ra ≤ 0.8</b>			
		Pump casing, IDF .....	9615261208
		Pump casing, SMS .....	9615261209
		Pump casing, DIN/ISO .....	9615261210
		Pump casing, ISO .....	9615261211
		Pump casing, BS .....	9615261212
		Pump casing, DS .....	9615261213
		Pump casing, DIN/DIN .....	9615261214
<b>Front cover standard blasted</b>			
60		Front cover, IDF .....	9615261308
		Front cover, SMS .....	9615261309
		Front cover, DIN/ISO .....	9615261310
		Front cover, ISO .....	9615261311
		Front cover, BS .....	9615261312
		Front cover, DS .....	9615261313
		Front cover, DIN/DIN .....	9615261314
<b>Front cover Mech Ra ≤ 0.8</b>			
		Front cover, IDF .....	9615261408
		Front cover, SMS .....	9615261409
		Front cover, DIN/ISO .....	9615261410
		Front cover, ISO .....	9615261411
		Front cover, BS .....	9615261412
		Front cover, DS .....	9615261413
		Front cover, DIN/DIN .....	9615261414
59	◆△◆●	1 O-ring, EPDM .....	9615217301
		1 O-ring, NBR .....	9615217303
		1 O-ring, FPM .....	9615217302
56		1 Recirculation pipe, standard blasted .....	9615202003
		1 Recirculation pipe, Mech Ra ≤ 0.8 .....	9615202004
55	◆△◆●	2 O-ring, EPDM .....	9615261501
		2 O-ring, NBR .....	9615261503
		2 O-ring, FPM .....	9615261502
57		1 Clamp set .....	9611311057
58		1 Air screw, standard blasted .....	9615216502
		1 Air screw, Mech Ra ≤ 0.8 .....	9615216504
24		6 Cap nut .....	9611992592
24a		6 Washer .....	9611991888
28		6 Bolt .....	9611992168
26	◆△◆●	1 O-ring, EPDM .....	9611992141
		1 O-ring, NBR .....	9611992143
		1 O-ring, FPM .....	9611992142
37		1 Impeller, standard blasted .....	9612131402
		1 Impeller, Mech Ra ≤ 0.8 .....	9612131406
38	◆△◆●	1 O-ring, EPDM .....	9611992145
		1 O-ring, NBR .....	9611992147
		1 O-ring, FPM .....	9611992146
25		1 Back plate, standard blasted .....	9612138405
		1 Back plate, Mech Ra ≤ 0.8 .....	9612138421
20		2 Nut .....	9611990353
21		2 Washer .....	9611992559



LKH Prime - Motor dependent parts

Pos	Qty	Denomination	IEC90	IEC100	IEC112	IEC132	IEC160
5a	1	Compression ring with thread .....	9612133601	9612133602	9612133602	9612133605	9612133603
5b	1	Compression ring without thread .....	9612133701	9612133702	9612133702	9612133705	9612133703
6	6	Screw .....	9611993196	9611993196	9611993196	9611993197	9611993198
6a	6	Washer .....	9611993199	9611993199	9611993199	9611993199	9611993199
7	1	Shaft .....	9615230401	9615230402	9615230402	9615230403	9615230404
7a	1	Stud bolt, (included in pos 7) .....	9615230301	9615230301	9615230301	9615230301	9615230301
8	1	Connex pin, (included in pos 7) .....	9611990622	9611990622	9611990622	9611990622	9611990622
9	1	Retaining ring, (included in pos 7) .....	9611992307				
2	1	Shroud .....	9612139001	9614192203	9612139003	9612139008	9612139005
2a	1	Edge list, (Included in pos. 2) .....					
3	4	Screw .....	9611993240	9611993240	9611993240	9611993240	9611993241
16	1	Adaptor .....	9612342301	9612342401	9612342401	9612342501	9612342601
17	4	Screw for adapter .....	9611992161	9611991834	9611991834	9611992162	9611992163
18	4	Nut for adapter .....	9611990353	9611990587	9611990587	9611990587	9611992160
19	4	Washer for adapter .....	9611991887	9611990676	9611990676	9611990676	9611991886
22	1	Safety guard set .....	9614077401	9614077402	9614077402	9614077403	9614077404
23	1	Screw for safety guard .....	9611993239	9611993239	9611993239	9611993239	9611993239
30a	1	Support bar, right .....	9612132201	9612132205	9612132205	9612132206	9612132203
30b	1	Support bar, left .....	9612132301	9612132305	9612132305	9612132306	9612132303
31	4	Leg .....	9612396701	9612396701	9612396701	9612396701	9612396701
32	4	Screw .....	9611991126	9611991126	9611991126	9611991126	9611991126
33	4	Nut .....	9611990360	9611990353	9611990353	9611990353	9611990587
34	4	Spring washer .....	9611991888	9611991887	9611991887	9611991887	9611990676
35	4	Screw .....	9611993241	9611991911	9611991911	9611991911	9611991834
35a	4	Washer .....		9611990786	9611990786	9611990786	9611990706
39	4	Nut .....		9611990587			
46	4	Distance sleeve .....				9611992737	3143803902





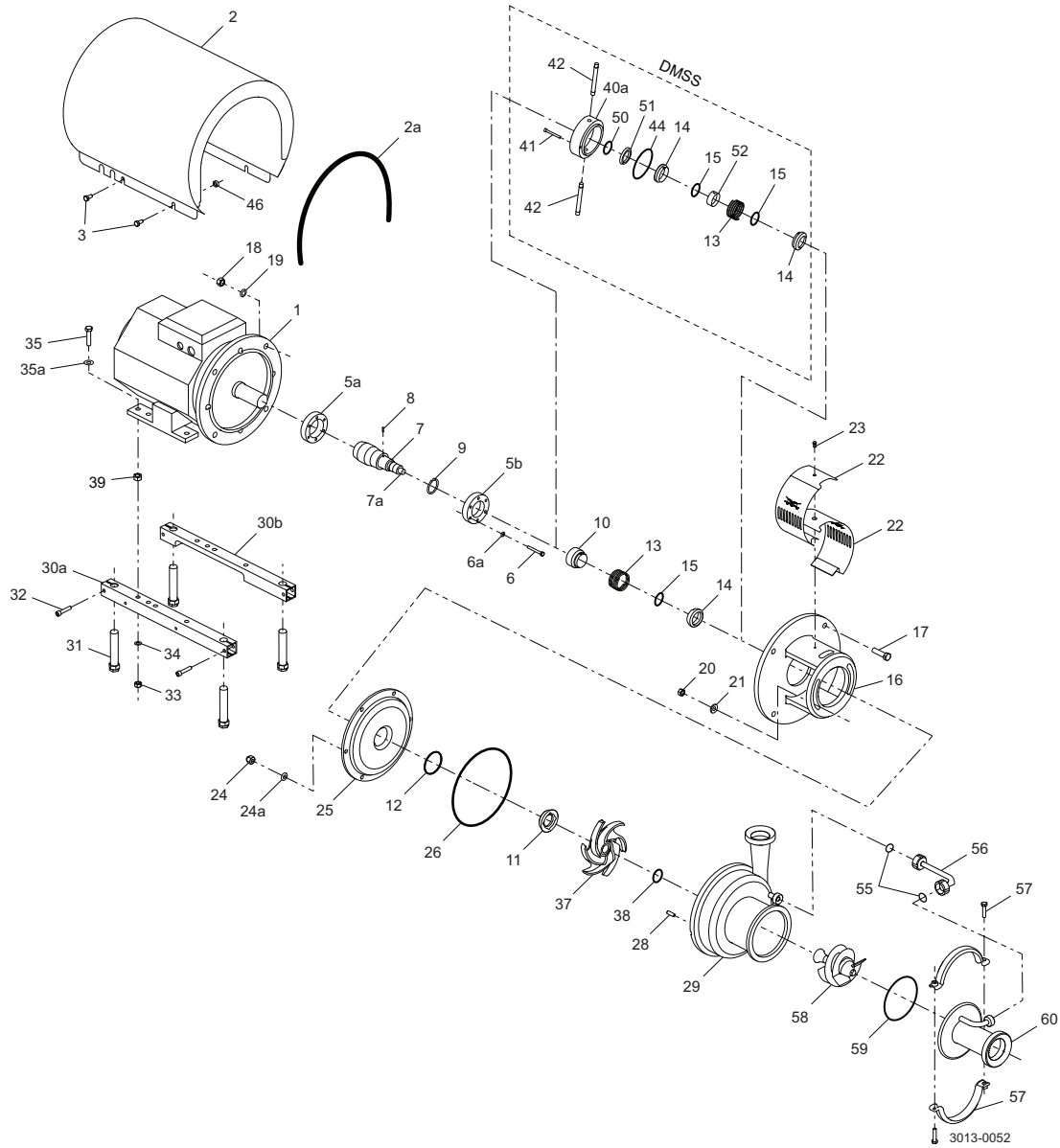
## LKH Prime - Motor dependent parts

---

Pos	Qty	Denomination	1.5 kW IEC90	2.2 kW IEC90	3 kW IEC100	4 kW IEC112	5.5 kW IEC132
1	1	Motor ABB, 3000rpm .....	9614303003	9614303004	9614303005	9614303006	9614303007

Pos	Qty	Denomination	7.5 kW IEC132	11 kW IEC160
1	1	Motor ABB, 3000rpm .....	9614303008	9614303009

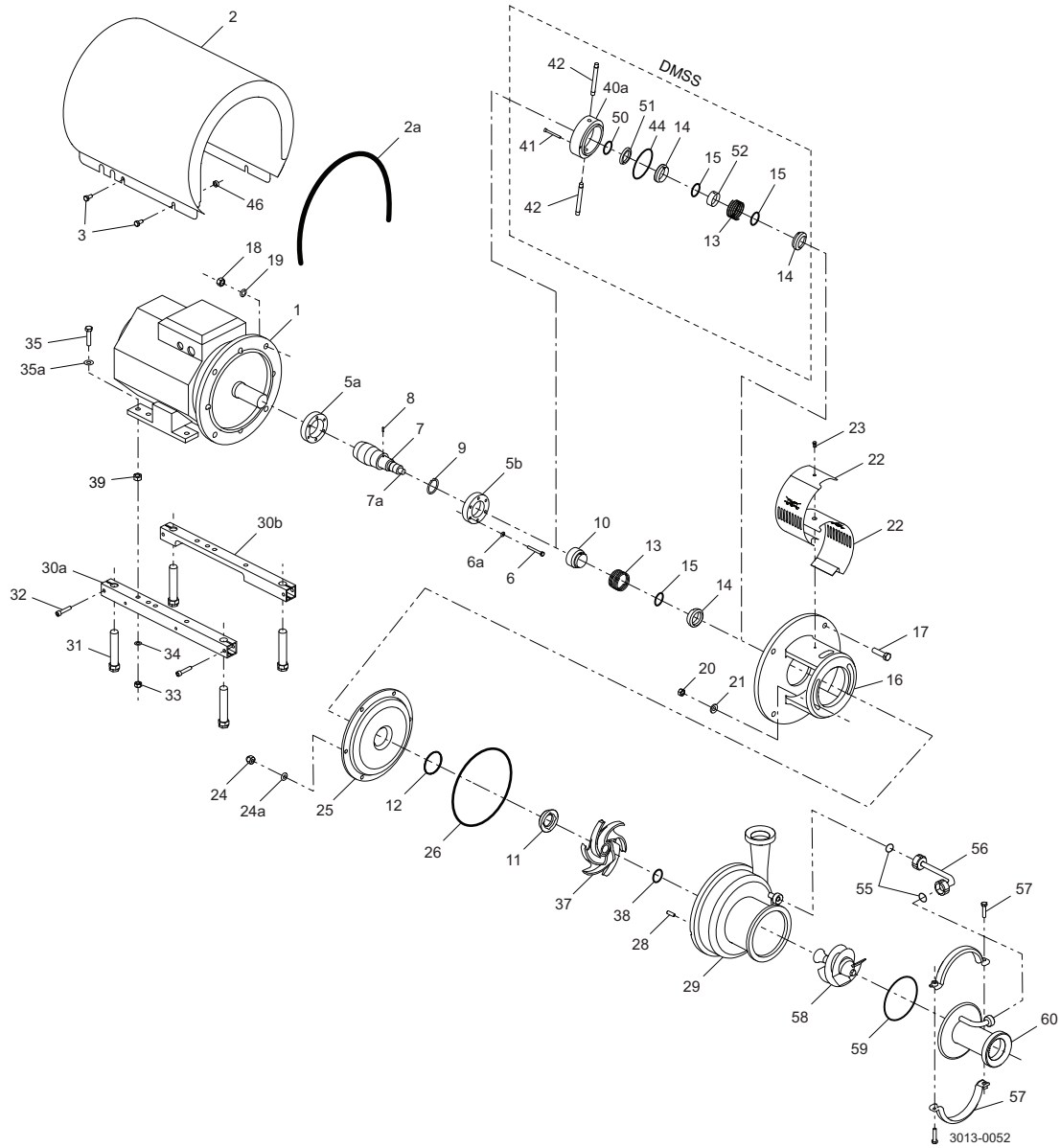
3 ~, 50 Hz, 230VD/400-415VY - Standard ≤ 22 kW  
 3 ~, 60 Hz, 440-460VY - Standard ≤ 22 kW



## LKH Prime - Shaft seal

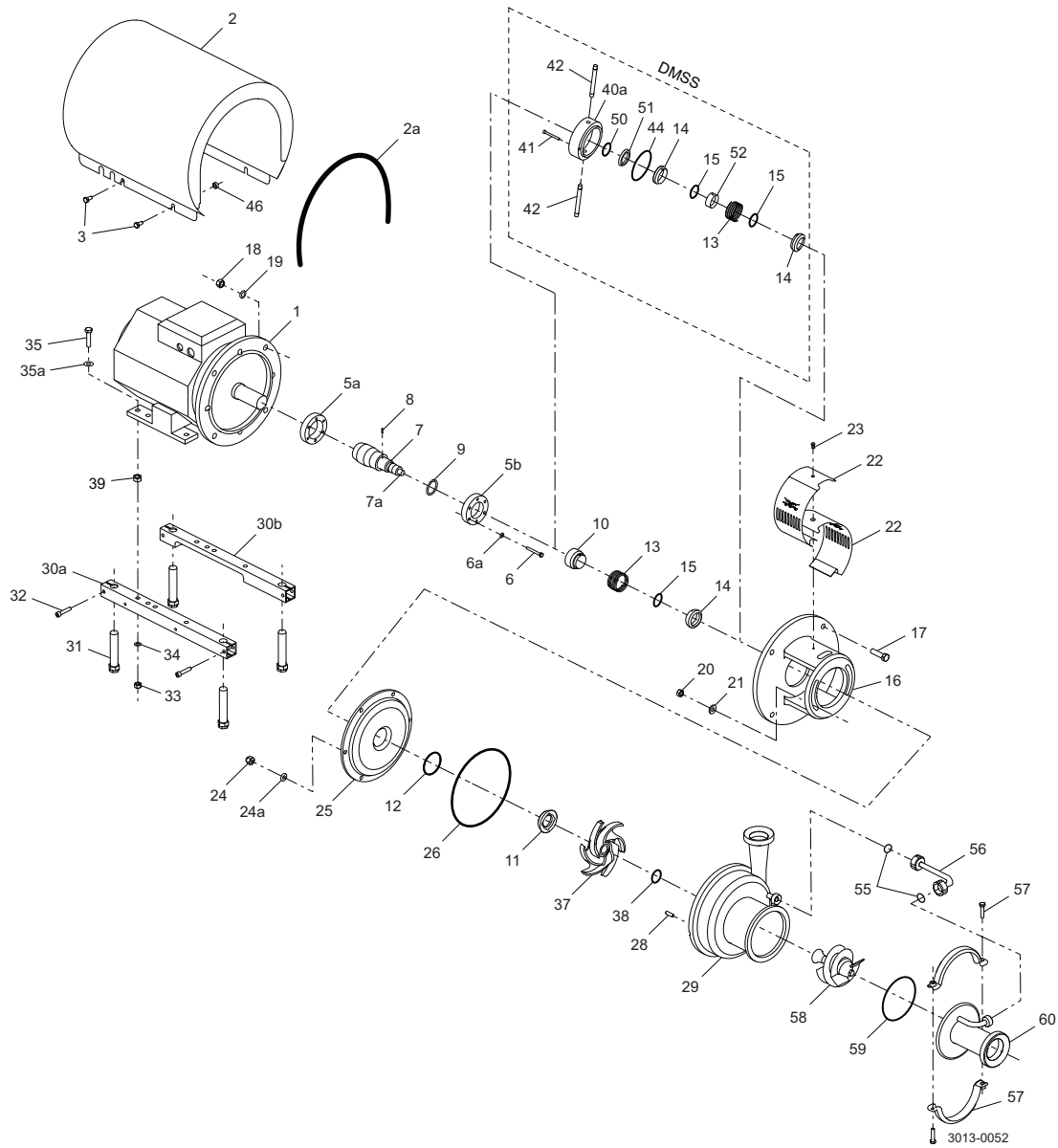
---

Pos	Qty	Denomination	LKH Prime 20
<b>Accessories</b>			
	1	Tool complete .....	9612137101
<b>Parts for double mechanical shaft seal</b>			
40a	1	Seal housing .....	9612133902
41	2	Screw for seal housing .....	9611990203
42	2	Tube .....	9612358901
<b>Drive ring</b>			
10	1	Drive ring, Single shaft seal steel .....	9614206001



**LKH Prime - Shaft seal**

Pos	Qty	Denomination	EPDM	NBR	FPM
<b>Single shaft seal</b>					
		◆ Complete shaft seal, C/SiC .....	9612129609	9612129610	9612129611
11	1	Stationary seal ring, SiC .....			
12	1	O-ring .....			
13	1	Spring .....			
14	1	Rotating seal ring, carbon .....			
15	1	O-ring .....			
<b>Alternatives for single shaft seal</b>					
		◇ Complete shaft seal, SiC/SiC .....	9612129639	9612129640	9612129635
11	1	Stationary seal ring, SiC .....			
12	1	O-ring .....			
13	1	Spring .....			
14	1	Rotating seal ring, SiC .....			
15	1	O-ring .....			
<b>Double mechanical shaft seal</b>					
		△ Complete seal, C/SiC .....	9612129613	9612129614	9612129615
11	1	Stationary seal ring, SiC .....			
12	1	O-ring .....			
13	1	Spring .....			
14	2	Rotating seal ring, carbon .....			
15	2	O-ring .....			
44	1	O-ring for seal housing, EPDM .....			
50	1	O-ring, EPDM .....			
51	1	Sec. stationary seal ring .....			
52	1	Drive ring .....			
<b>Alternatives for double mechanical shaft seal</b>					
		● Complete shaft seal, SiC/SiC .....	9612129636	9612129637	9612129638
11	1	Stationary seal ring, SiC .....			
12	1	O-ring .....			
13	1	Spring .....			
14	2	Rotating seal ring, SiC .....			
15	2	O-ring .....			
44	1	O-ring for seal housing, EPDM .....			
50	1	O-ring, EPDM .....			
51	1	Sec. stationary seal ring .....			
52	1	Drive ring .....			



	EPDM	NBR	FPM
<b>Service kit for single shaft seal C/SiC</b>			
◆ Service kit, C/SiC (LKH Prime 20) .....	9611927175	9611927176	9611927177
<b>Service kit for single shaft seal SiC/SiC</b>			
◇ Service kit, SiC/SiC (LKH Prime 20) .....	9611927178	9611927179	9611927180
<b>Service kit for double mechanical shaft seal C/SiC</b>			
△ Service kit, C/SiC (LKH Prime 20) .....	9611927181	9611927182	9611927183
<b>Service kit for double mechanical shaft seal SiC/SiC</b>			
● Service kit, SiC/SiC (LKH Prime 20) .....	9611927184	9611927185	9611927186

Parts marked with ◆△◇● are included in the service kits.

Conversion kit single to double mechanical shaft seal : Please order double mechanical service kit + pos. 40a + 41 + 42.

Recommended spare parts: Service kits.

(900687/3)

**How to contact Alfa Laval**

Contact details for all countries are continually updated on our website.

Please visit [www.alfalaval.com](http://www.alfalaval.com) to access the information directly.

© Alfa Laval Corporate AB

This document and its contents is owned by Alfa Laval Corporate AB and protected by laws governing intellectual property and thereto related rights. It is the responsibility of the user of this document to comply with all applicable intellectual property laws. Without limiting any rights related to this document, no part of this document may be copied, reproduced or transmitted in any form or by any means (electronic, mechanical, photocopying, recording, or otherwise), or for any purpose, without the expressed permission of Alfa Laval Corporate AB. Alfa Laval Corporate AB will enforce its rights related to this document to the fullest extent of the law, including the seeking of criminal prosecution.